



## 2 bedrooms, 80 sq.m.

Limassol, Touristiki-Periochi-Mouttagiaka-4531 , Cyprus

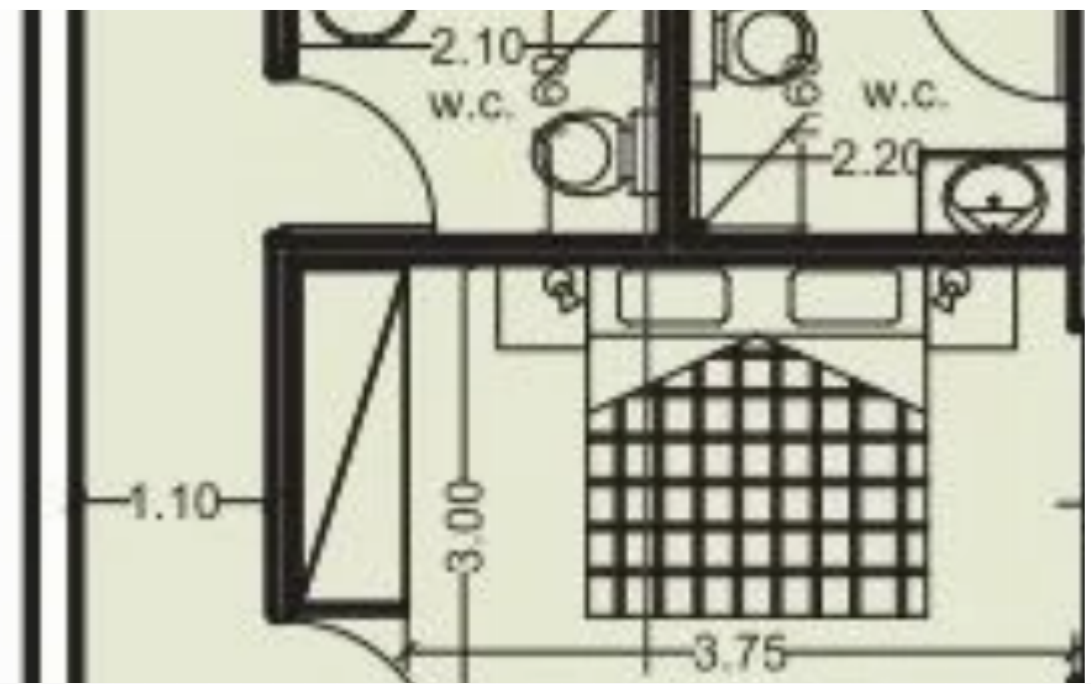
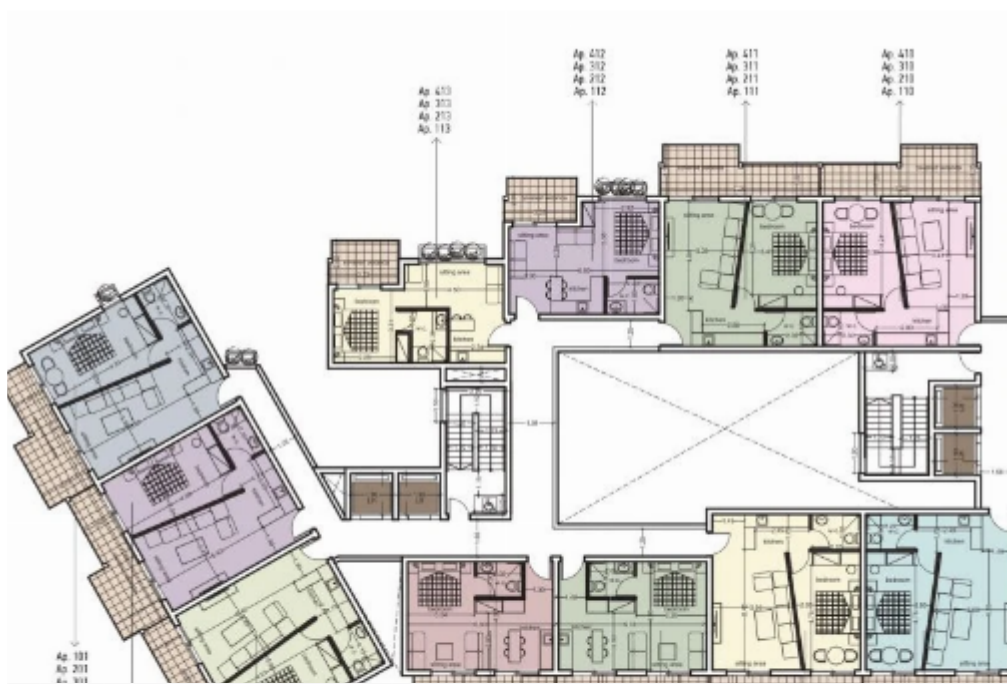
This ad is presented by listings admin, under supervision from ,

Licensed Real Estate Agent Reg no: 1234, Lic no: 603/E

**Offered at:** € 494,000

**Estate ID:** 29411

**Ref:** J3850L1426





NET internal area: **80**



Bathrooms: **2**



Bedrooms: **2**



Parking spaces: **1 cars**



Available from: **2024-04-23**



Offered at: **494,000**



Type: **Apartment**



Veranda: **23 m²**

AQUA PARK RESORT Located in Limassol, at a privileged location only 200m from the beach Gated Resort with private roads 4 Communal Swimming Pools Playground Area Beautiful lush green Gardens AQUA PARK VACATION CLUB ANNEX —NEW PHASE • The new Phase consists of Studio, One and Two bedroom Apart- ments • Entrance / Lobby / Concierge Service • Spa / Indoor Swimming Pool / Gym / Cafeteria • For all Apartments the price includes Furniture, Electrical Applianc- es and A/C Units. • Ideally for investment with guaranteed rental income Apartment 109 • 2 Bedroom Apt • Covered Area : 80m • Covered Veranda: 23m • Common Share: 22m • Total Covered Area : 125m...





**Website:** [realty.com.cy/p/2-bedrooms--80-sq.m.-J3850L1426](https://realty.com.cy/p/2-bedrooms--80-sq.m.-J3850L1426)

**Email:** [info@rimatech.com.cy](mailto:info@rimatech.com.cy)

**Phone:** [+35795958898](tel:+35795958898) // [+35725714014](tel:+35725714014)

This ad is presented by listings admin, under supervision from ,  
Licensed Real Estate Agent Reg no: 1234, Lic no: 603/E

